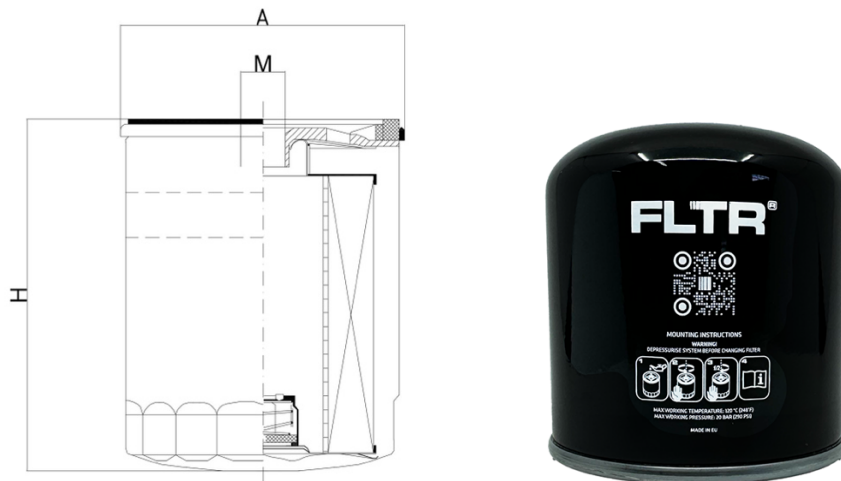


Product reference 350004805

Type	Spin-on oil filter	
Nominal flow rate	25 l/min	
Direction of flow	Outside to inside	
Min operating temperature	- 20 °C	
Max operating temperature	120 °C	
Max operating pressure	20 barg	
Bypass valve opening pressure	2,5 barg	
Anti drain valve	No	
Filtration efficiency 50%	20 micron	ISO 4548-12
Filtration efficiency 100%	> 50 micron	ISO 4548-12
Country of origin	Italy	

Dimensions:		Materials:	
A – diameter	93 mm	Gasket	NBR
H – height	102 mm	Filter media	10 micron
M – threading	3/4"-16 UNF-2B	Casing and body	Steel
Weight	0,54 kg		

GENERAL ARRANGEMENT (for reference only)



MOUNTING INSTRUCTIONS

Important! Depressurize before dismounting.

